

E6 Hinge

Position control · Adjustable torque

Features

- Hold doors open, in position
- User-adjusted holding torque

Material

- Leaves: Acetal
- Pin: Polycarbonate
- Adjustment screw & nut: Stainless steel

Installation Notes

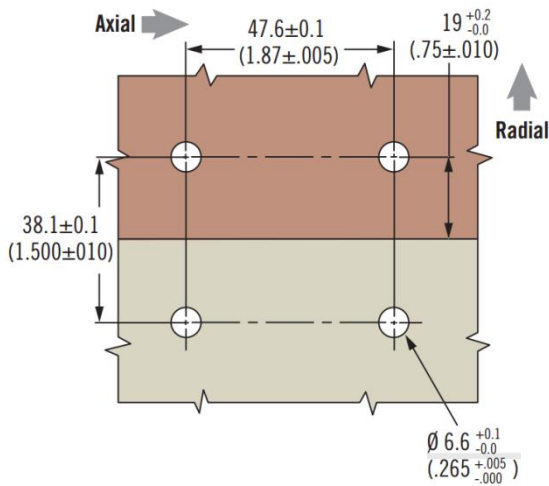
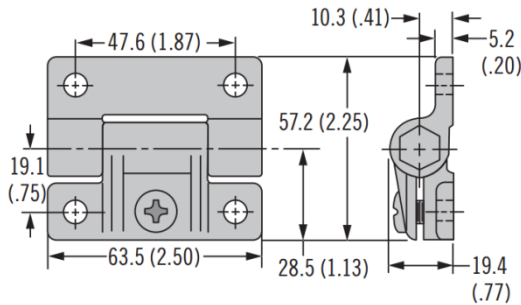
- Mount with:
 - Large: M6 screws (not supplied)
 - Medium: M4 screws (not supplied)

Product Performance

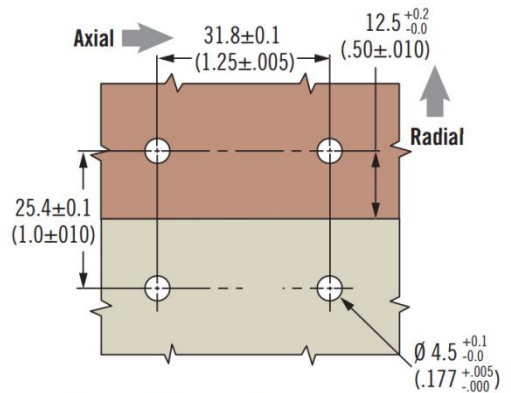
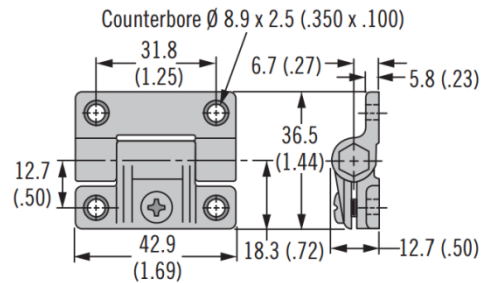
- Radial load:
 - Large: 3,110 N
 - Medium: 1,780 N
- Axial load:
 - Large: 2,000 N
 - Medium: 890 N
- Maximum prevailing torque of hinge:
 - Large: 4 N.m
 - Medium: 0.8 N.m
- Operating temperature range:
 - -5 °C to 65 °C



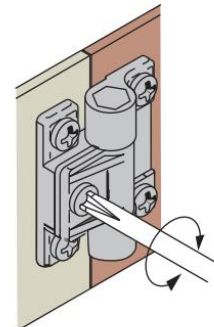
Large



Medium



Torque Adjustment



Part Number		
Color	Large	Medium
Black	E6-10-501-20	E6-10-301-20
White	E6-10-501-10	E6-10-301-10